

One-time Investment. Lifetime Saving.



RACOLD COMMERCIAL HEAT PUMP WATER HEATER

India's largest provider of water heating solutions

*Uses 70% less electricity compared to conventional water heating solutions



70%*
Savings

About US

ARISTON Thermo Group

Ariston ThermoGroup is the global leader in thermic comfort solutions for domestic, commercial & industrial spaces.

All over the world, Ariston Thermo is synonymous with comfort, energy efficiency and respect for the environment, thanks to its high efficiency products, its plants in compliance with the most advanced production standards and excellent pre-and-after-sales customer support services.

The 1.43 billion Euro group employs 6700 people worldwide and manufactures over 7 million products per year, and over 35 million components. With 20 state-of-the-art production units in 12 countries, Ariston Thermo Group has a global presence in 150 countries with Ariston as its flagship brand. Over 6 million households choose Ariston every year and more than 250 million people experience the comfort of Ariston Thermo products. The company has invested over 72 million Euros across 18 R&D centers in 10 countries. The company has a significant presence in Europe and Asia, with production sites in Belgium, China, France, Germany, India, Italy, Netherlands, Russia, South Africa, Switzerland, Uzbekistan and Vietnam. There is now a major thrust on renewable energy, through solar water heaters and systems. Hence, by 2020, the group aims to have 80% of its business coming from high efficiency and renewable solutions.

ARISTON Thermo India Private Limited

Ariston Thermo India Private Limited, a wholly owned subsidiary of Ariston Thermo Group, Italy, is responsible for marketing, sales and service of "Racold" branded products in India.

Racold Thermo Private Limited, is also a wholly owned subsidiary of Ariston Thermo Group, Italy and is responsible for Manufacturing and Research & Development of “Racold” branded products in India. The “Racold” brand is licensed to Ariston Thermo India Private Limited.

The Indian operations include India's largest and fully integrated water heater (Electric & Solar) plant in Chakan near Pune, Maharashtra, that has been operational since 1999. Ever since its inception, Racold, has been setting standards in the Indian Water Heating Industry by bringing in new technology, enhancing the aesthetics, quality, durability and performance of the products.

Brand RACOLD

Racold as a brand is synonymous with breakthrough innovation, premium quality and complete customer satisfaction. As a further testimony to their continuous delivery on performance, they have been the first to obtain quality and performance certifications as per IEC, CE and other similar International standards.

With a complete range of Electrical, Gas, Solar and Heat Pump Water Heaters, Racold provides complete water heating solutions to all the sectors i.e. domestic, commercial and industrial. Racold focuses on consumer insight led innovation which has led to innovative technological features like Programmable Cycle, Smart Bath Logic and Eco Sense.

Racold has won the prestigious National Energy Conservation Award consecutively 7 times in a row from 2010 to 2016. This award has been instituted by BEE in the electric storage water heater category.



Winner of highest number of National Energy Conservation Awards.



The Ministry of New and Renewable Energy (MNRE) has recognized “RACOLD” for its outstanding efforts by conferring two awards lauding its achievement in Solar Thermal Installation by square meters and for the Best Service and Dealer Network in India.



VOTED INDIA'S MOST TRUSTED Water Heater Brand
THE BRAND TRUST REPORT 2016

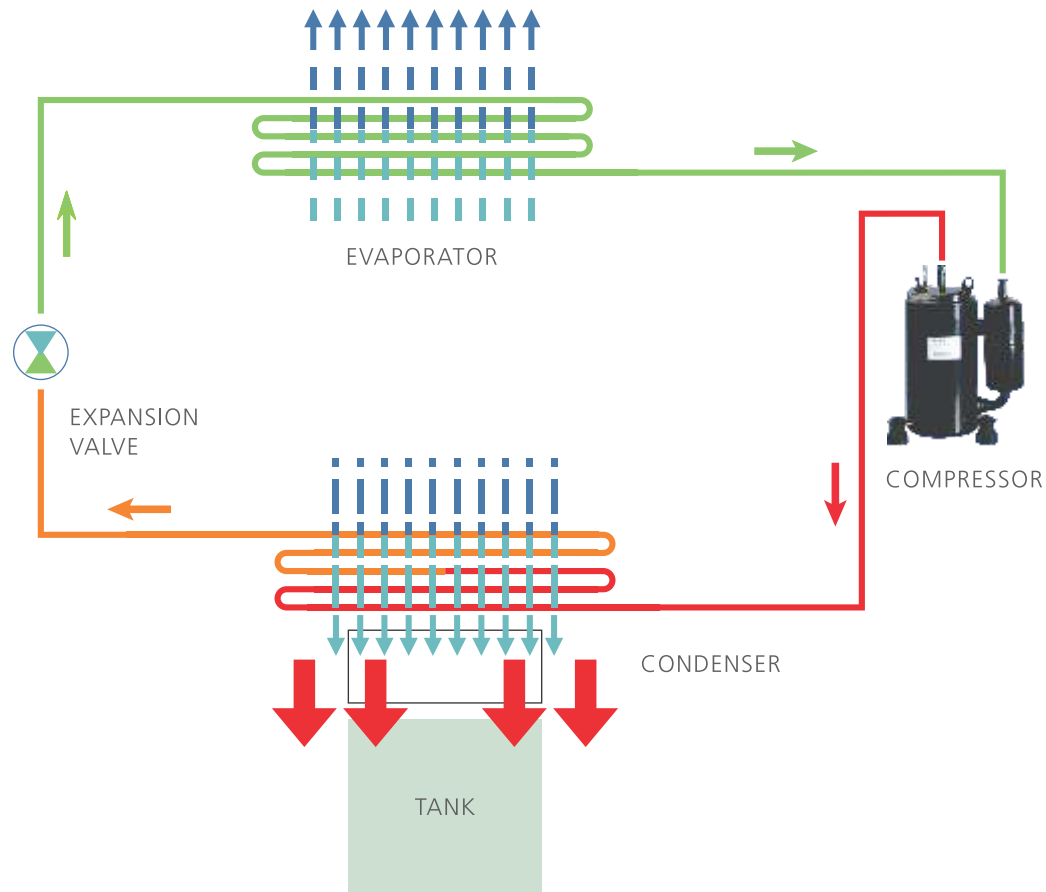


What is the RACOLD COMMERCIAL Heat Pump Water Heater?

The Racold Commercial Heat Pump Water Heater is a new generation high efficiency, energy saving, environment friendly, water heating solution. It is a combination of the highest quality and latest eco-friendly technology.

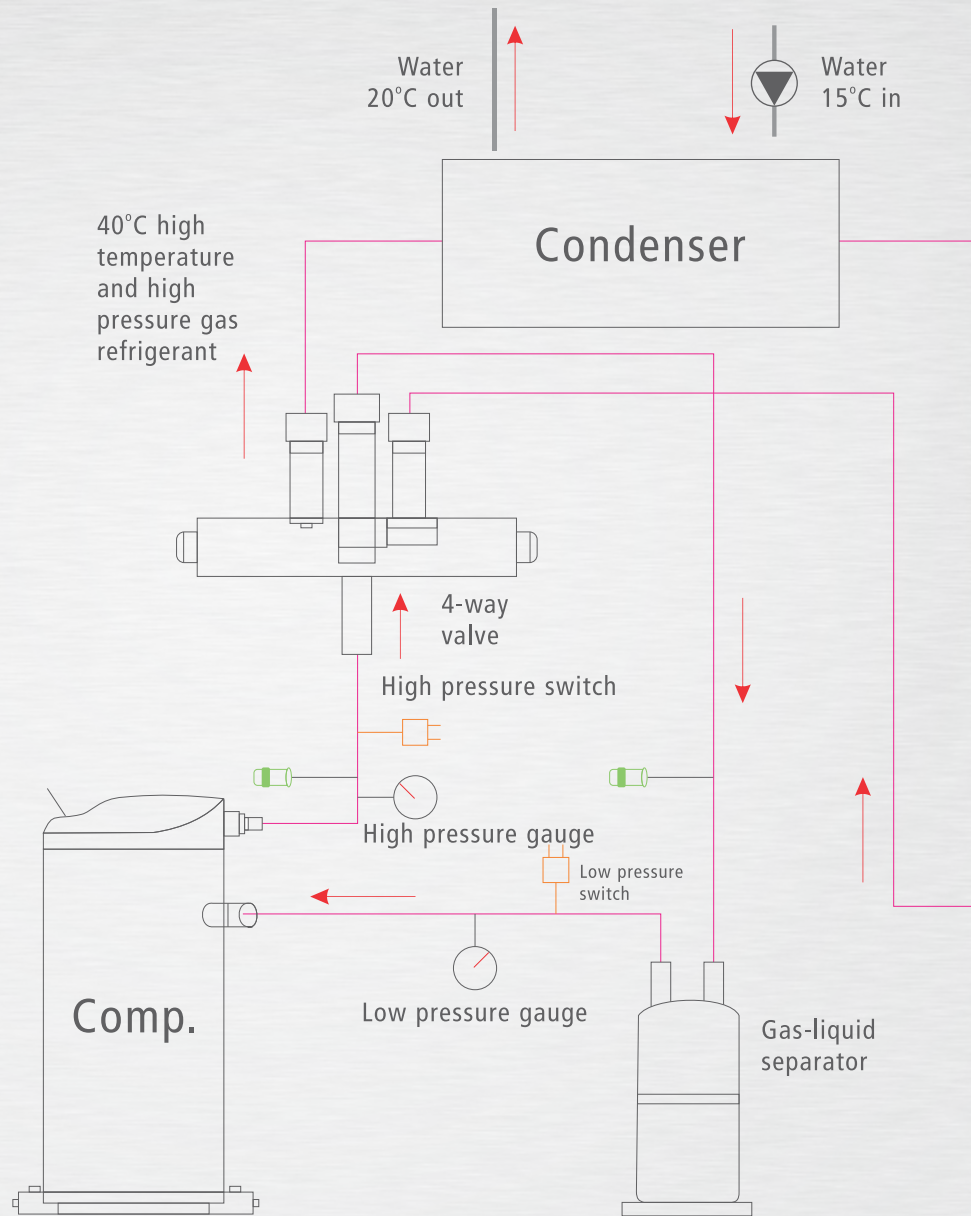
It uses 70% less electricity compared to conventional water heating solutions. It uses electricity only to move heat from one place to another instead of using it to generate heat. This results in 70% less electricity consumption.

How does it WORK?

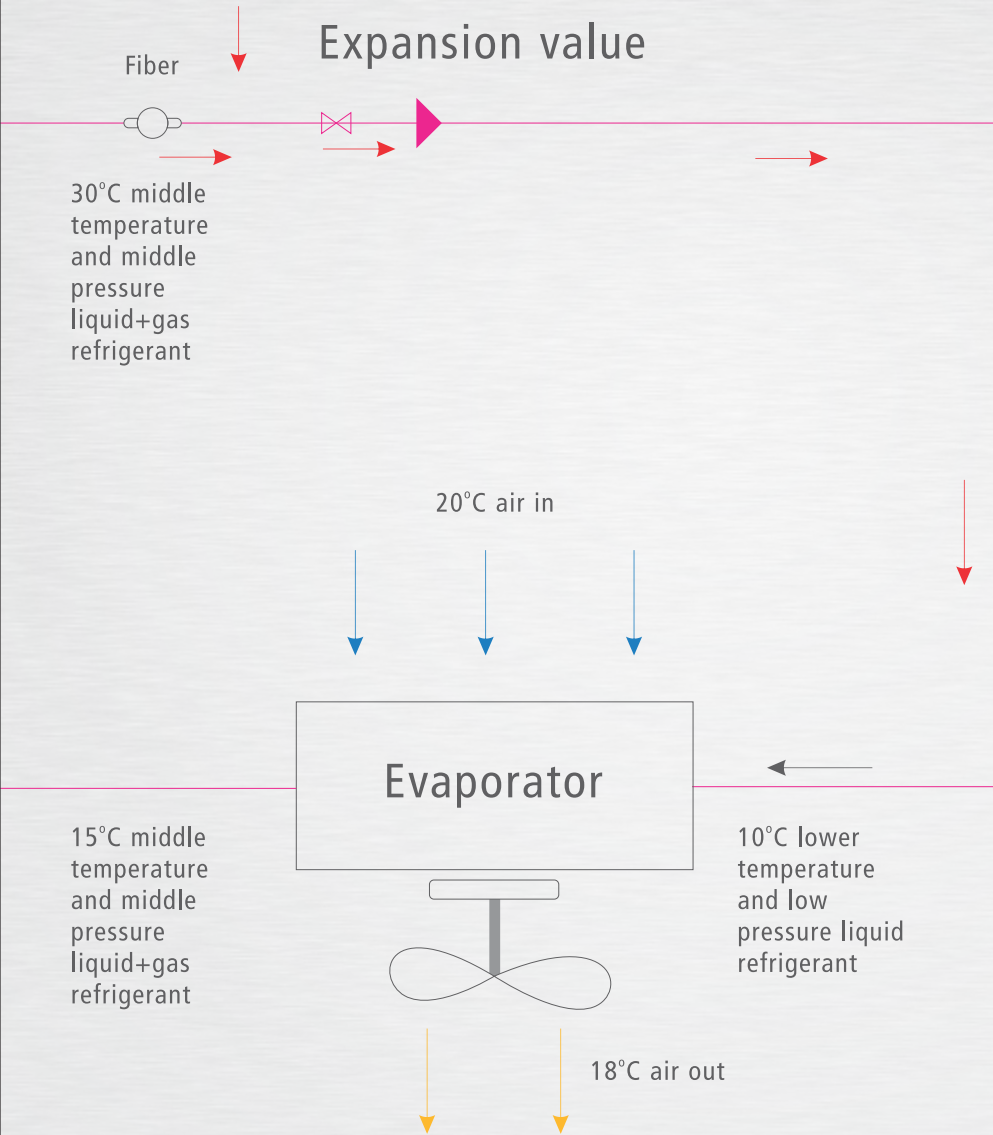


Thermodynamic cycle:

- External air is sucked inside the heat pump with the help of a fan.
- Since the refrigerant in the evaporator is kept at a lower temperature than the surrounding atmosphere, it absorbs heat from the surroundings and evaporates.
- The compressor compresses the gaseous refrigerant and raises the pressure and temperature of the refrigerant.
- The heated refrigerant runs through the condenser coil wrapped around the storage tank, transferring the heat to the water stored there and it cools and condensates.
- The refrigerant then passes through an expansion valve where the pressure and temperature is reduced further for the whole process to start again.



An ENERGY-SAVING technology
in a USER-FRIENDLY product!



The Racold Commercial Heat Pump Water Heater is a new generation water heater that uses the principle of **“Reverse Carnot Cycle”** to absorb heat from the air to heat water inside the tank. It is a highly efficient, energy-saving and environment friendly technology.

This Water Heater is available in well-designed units which are simple to operate, easy to install and have a smart remote controller.



The RACOLD COMMERCIAL Heat Pump Water Heater ADVANTAGES

The Racold Commercial Heat Pump Water Heater gives you many advantages, on all fronts – be it efficiency, safety, reliability, cost effectiveness, ease of installation & usage.



Save more Energy

Saves up to 70% energy compared to conventional water heating solutions



Environment Friendly

We use the environment friendly refrigerant R417A



Get 24x7 @ 365 days hot water

Hot water is available 24X7. It is unaffected by climatic changes



Depreciation Benefit

Companies can claim depreciation benefit as per Government of India norms under the Income Tax Act



SMART Digital Control

Temperature and the time when hot water is required can be easily set via smart digital controller



Safe and Reliable

It is 100% shock free as electricity and water flow is separated in this design



Sturdy Components

The components are long lasting, strong and weatherproof for extended durability



Easy to Install

Heat Pump can be very easily installed on rooftop, or any area with good ventilation



Easy to Use

It can be easily operated via Smart Digital Controller that comes with it



Save more Space

Compact design saves more space as compared to other conventional water heating solutions



Government Clearance

No government clearance is required for the heat pump set up and use



Longer Life

Lifespan ranges from 10 to 15 years



Payback Period

Investment on Water heater can be recovered within 2 to 3 years through accrued savings on energy bills



Maintenance Free

Can last for years with little or no maintenance



Racold Service

Log in on our website to register a service request or just call us on our helpline numbers, Whats app us or Email us



Annual Maintenance Contract

You can be assured of timely maintenance of your Racold Heat Pump Water Heater by opting for our AMC



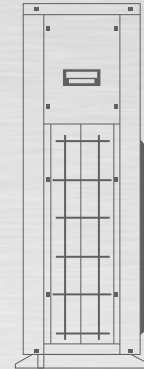
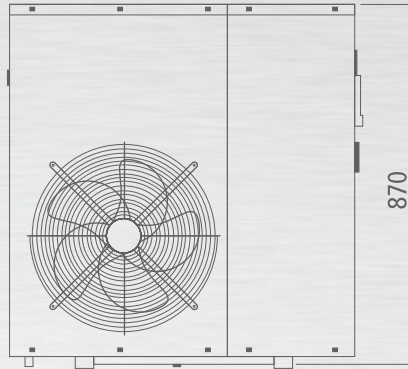
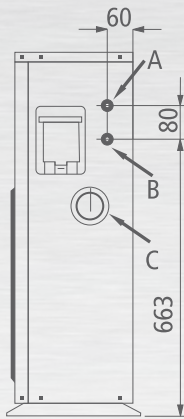
TECHNICAL Specifications



R HPWH 6SP
R HPWH 11SP

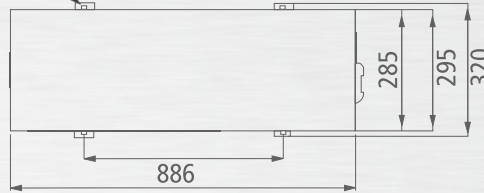
PARAMETERS		SPECIFICATIONS	
Model / Model		R HPWH 6SP	R HPWH 11SP
Power Supply	(V/ph)	220/1	220/1
Frequency	Hz	50	50
Rated Heating Power Output	kW	5.57	10.7
Rated Heating Power Input	kW	1.36	2.74
Water Production	L/h	119	229
Refrigerant / Weight	gram	R417A/1200	R417A/2100
Required Water Flow Rate	(m ³ /h)	1.6	2
Pressure Loss	kPa	40	45
Max. Operation Current	Amp	9	20
Max. Suction / Discharge Pressure	MPa	1.2/2.8	1.2/2.8
Max. Heat Exchanger Pressure	MPa	2.8	2.8
Water Connection Size		G3/4"	G1"
Level Against Electric Shock		I	I
Water-proof Grade		IPX4	IPX4
Noise	dB(A)	≤56	≤58
Net Weight	kg	65	84
Net Size	mm	835x320x870	1200x440x870
Operation Temp. Range	°C	-10~45	-10~45

R HPWH 6SP

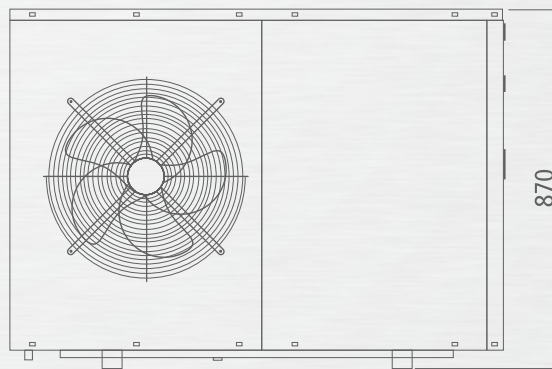
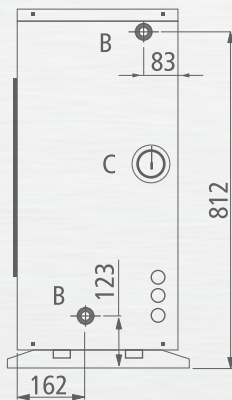


- A: Hot Water Output
- B: Hot Water Input
- C: High Pressure Gauge

4-10X18

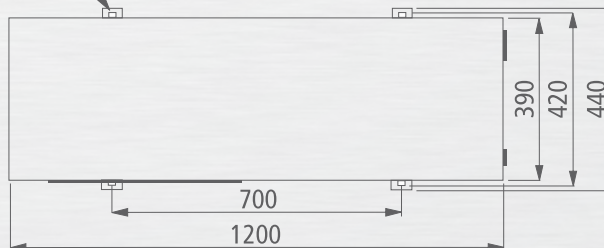


R HPWH 11SP



- A: Hot Water Input
- B: Hot Water Output
- C: Pressure Gauge

4-10X20



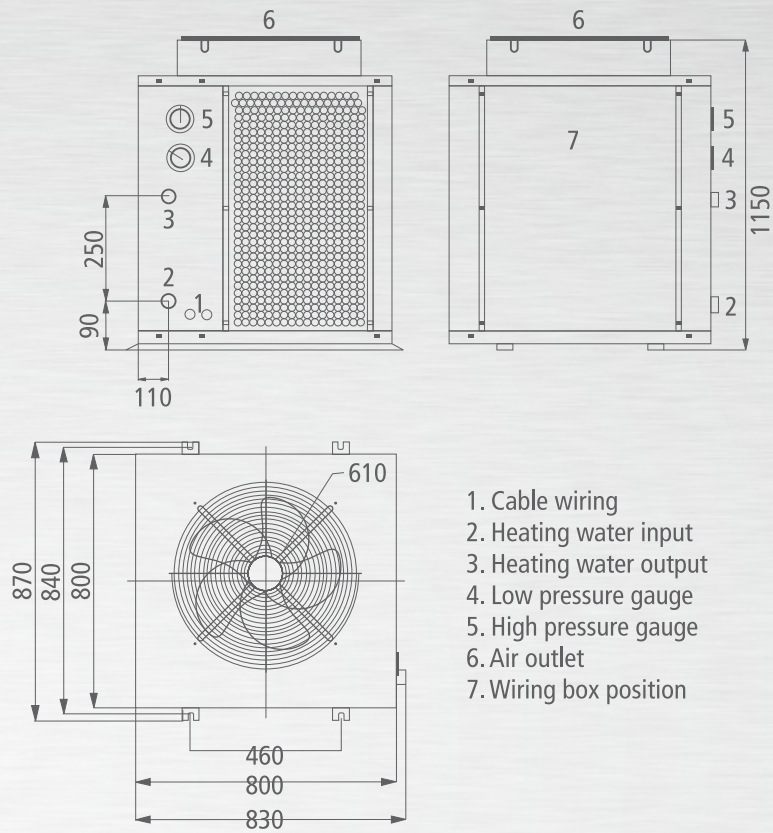
TECHNICAL Specifications



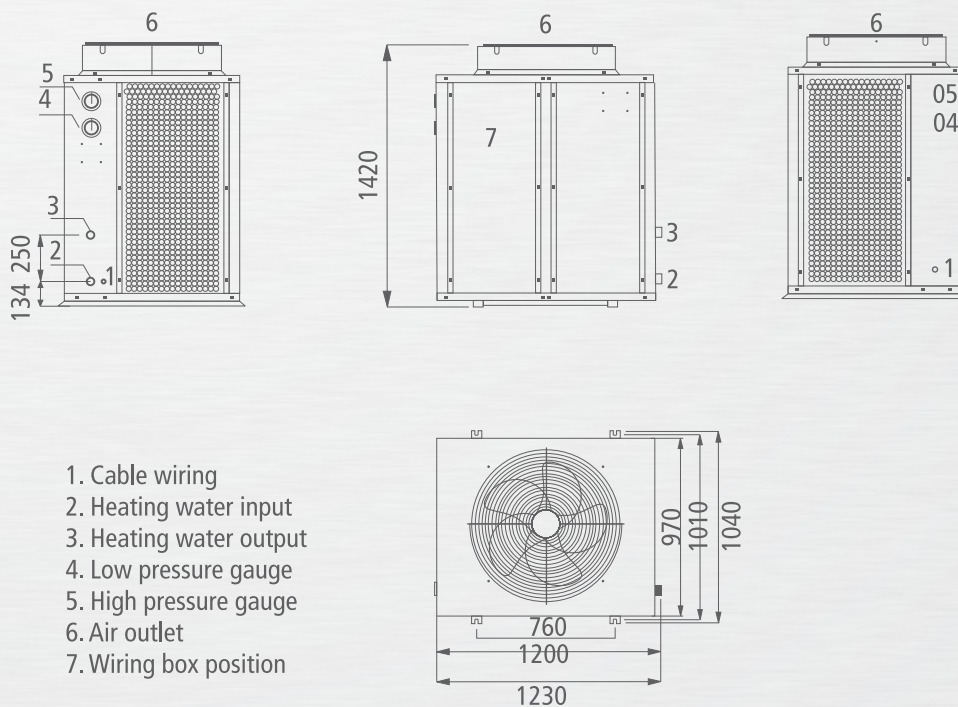
R HPWH 21TP
R HPWH 44TP

PARAMETERS		SPECIFICATIONS	
Model / Model		R HPWH 21TP	R HPWH 44TP
Power Supply	(V/ph)	380/3	380/3
Frequency	Hz	50	50
Rated Heating Power Output	kW	21.1	43.8
Rated Heating Power Input	kW	5.26	11.15
Water Production	L/h	452	938
Refrigerant / Weight	gram	R417A/3900	R417A/3700*2
Required Water Flow Rate	(m3/h)	4	8
Pressure Loss	kPa	60	75
Max. Operation Current	Amp	14	29
Max. Suction / Discharge Pressure	MPa	1.2/2.8	1.2/2.8
Max. Heat Exchanger Pressure	MPa	2.8	2.8
Water Connection Size		G1"	G1-1/4"
Level Against Electric Shock		I	I
Water-proof Grade		IPX4	IPX4
Noise	dB(A)	≤60	≤62
Net Weight	kg	160	290
Net Size	mm	830×850×1120	1230×1040×1420
Operation Temp. Range	°C	-10~45	-10~45

R HPWH 21TP



R HPWH 44TP



Racold Heat Pump Water Heater APPLICATIONS



FAST FOOD CHAINS



VILLAS



CORPORATE CANTEENS



HOTELS



APARTMENTS



BUNGALOWS



INDUSTRIAL



HOSPITAL



GYM



SPA

Customer's SPEAK

From amongst thousands of our happy customers, here's what one has to say:

"We are pleased to partner with Ariston Thermo India mainly because of three reasons:



BELIEF IN THE BRAND

Globally and locally both Ariston and Racold are the biggest water heating solutions brands and we at Max India were confident of partnering with the most trusted water heater brand.



CUSTOMIZATION

We are very happy with the tailor-made solutions that Racold provided us.



TEAM WORK AND SERVICE

Despite being a long turnkey project, the 24X7 support extended by Racold's sales and service team for installation, usage and maintenance is much appreciated.



Mr. Gyanendra Pratap Singh
Head Procurement & Contracts, Max India

REBORN EVERYDAY WITH HOT WATER

India's largest provider of water heating solutions

#PowerOfHotShower





**VOTED INDIA'S
MOST TRUSTED
Water Heater Brand**
THE BRAND TRUST REPORT 2016



**Winner of highest
number of National Energy
Conservation Awards.**



The Ministry of New and Renewable Energy (MNRE) has recognized "RACOLD" for its outstanding efforts by conferring two awards lauding its achievement in Solar Thermal Installation by square meters and for the Best Service and Dealer Network in India.

After sales-service: We also recommend the use of genuine Racold spare parts. Any query will be responded to within 48 hours.
Racold is a registered trademark of Ariston Thermo Spa, Italy.

For enquiries call or write to us:

MR. KAMLESH SANCHETTI (Renewable Head-Sales)

Mobile No: 9881097293. Email: marketing.india@aristonthermo.com



An
ISO 9001 : 2008
Certified Company

For Service related information, call 1860 425 2288, +91 92432 22288
Email Id: customer.care@racold.com or Log on to www.racold.com

Whatsapp Number
+91 92437 00100

Ariston Thermo India Private Limited

2nd Floor, Eastern Wing, Nyati Unitree, Nagar Road, Yerwada, Pune, Maharashtra-411 006. Board Line: 020-6740 9900. www.racold.com